

GUBI 2D 75 STOOL //

GUBI CHAIR COLLECTION

Designed by Komplot Design

PRODUCT



//Oak / Wood base

COLOURS



// Black Stained Birch / Cent



// Walnut / Sled base

Item no.:
+ style code

DESCRIPTION

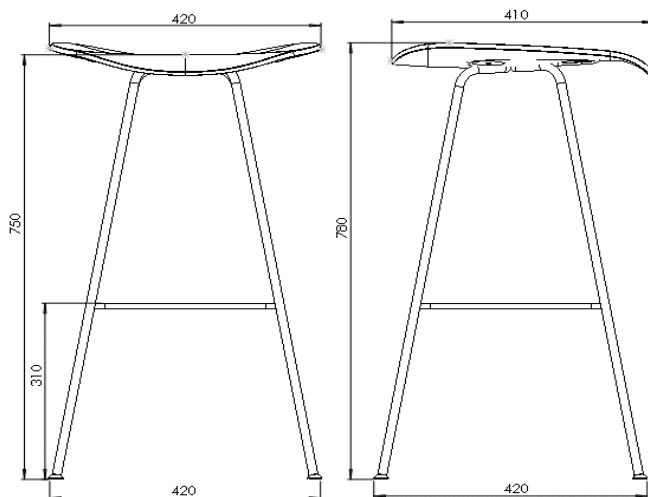
The GUBI 2D Chair Collection is a chair series where the shell is in moulded veneer. The shell is 5 mm thick. The shell can be delivered with front upholstery. The 75 Stool base is available in 3 different variations as specified below. The GUBI 2D Chair series includes Chair, Bar 65 Stool and Bar 75 Stool in 4 different base configurations.

VERSION - FRONT UPHOLSTERED - BASES

Wood Base // Oak, Black Stained Birch and Walnut
Center Base // Chrome, Black RAL 9005 Gloss 10-15
Sled Base // Chrome - Black RAL 9005 Gloss 10-15
Bar Swivel // Chrome

CHAIR VERSION

Order item - look for part number in the pricelist.



FACTS

MEASUREMENT - H x W x D MM
Sitting height: 750 mm
Wood base: W 460 x D 430 mm
Center base: W 420 x D 420 mm
Sledge base: W 440 x D 450 mm
Height: 780 mm
Seat width: 420 mm
Seat depth: 410 mm
Footrest: 310 mm
Shell thickness: 5 mm

WEIGHT ITEM
5,8 kg

PACKAGING TYPE
Cardboard box

WEIGHT PACKAGING - MATERIAL TYPE
- Delivery note: 5 g
- Cardboard box, FEFCO quality EB85BB: 2192 g
- Cardboard extra bottom: 408 g
- Polybag PE: 200 g
- LD-EPE foam protector: 100 g
- Strapping: 10 g

WEIGHT PACKAGING - TOTAL
10kg

NUMBER OF PARCELS
1 pcs.

* Defective frame and shells can be replaced.

Designed by Komplot Design

ACCESSORIES

FELT GLIDERS FOR HARD FLOOR AVAILABLE ON REQUEST.
FELT GLIDERS SEMI TRANSPARENT WHITE - ORDER ITEM NO.: xx
FELT GLIDERS BLACK - ORDER ITEM NO.: xx

CLEANING AND MAINTENANCE

For dusting and light cleaning of frame use a soft, dry cloth.
For further cleaning, use a soft cloth that is firmly wrung in clean water for gently wiping the surface, and then immediately use a dry cloth to wipe the surface again.
If more thorough cleaning is necessary, use a mild detergent or washing-up liquid dissolved in water on a firmly wrung cloth. Afterwards, repeat the process with clean water as described above.
Polish with a soft cloth after wiping.
Do not use materials for maintenance that:

- Contain abrasive agents.
- Are basic, acidiferous or organic.

For the best maintenance of the product, protect it against sunlight and heat, and try to keep it away from moisture, grease and other dirt.
Furthermore, protect the surfaces against sharp objects and other that might scratch.

ENVIRONMENT

TESTS

-

CERTIFICATION AND LABELS

-