

CUOIO. Design: EOOS.



The logic of minimalism determines the shape and materials of the Cuoio Chair and Lounge Chair. Leather and steel are the components of surface and framework. The fact that the model is separable and recyclable ensures it is a high degree of sustainability. The Cuoio Chair comes both with and without armrests. The footstool and the comfort cushion for your back complement the delicate Lounge Chair.

Product description

Design awards



Chairs, armchair and stool

Modell no.

1202

Frame

Steel, powder-coated black gloss.
With flexible back.

Cover

Leather Saddle in different colours. Each with rear side in black.

Armrests

The chairs are available with armrests.
Steel, powder-coated black gloss. Covered with black leather.
Height of armrests 67 cm.

Glides

Fitted with synthetic glides for floors and carpet floors or felt glides for wooden floors.

Notice

Cover and frame can be separated and recycled.

Accessories

Modell no.

1202

Sheepskin rug

Sheepskin rug matching the armchair. Removable, with fixation.

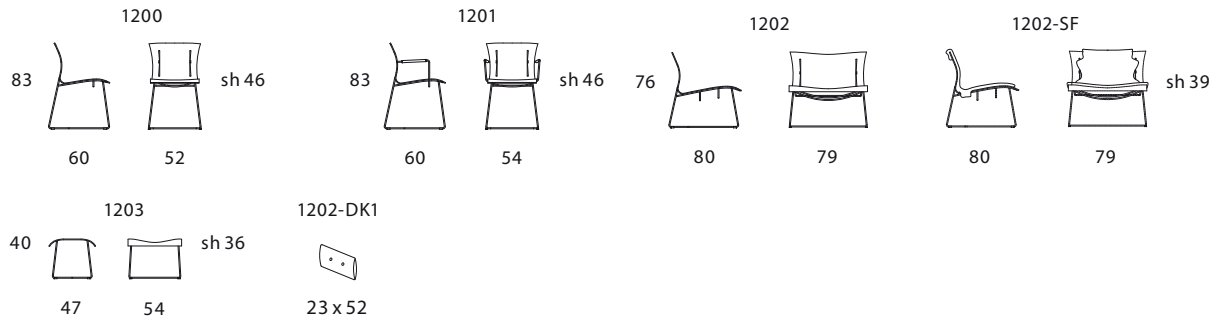
Cushion

Upholstery: ticking sewn into chambers with down filling.
Cover: fabric.
Buttons: in leather Saddle. *Please specify colour of buttons when ordering!*

WALTER KNOLL

CUOIO.

Technical drawings and dimensions



All dimensions in cm.