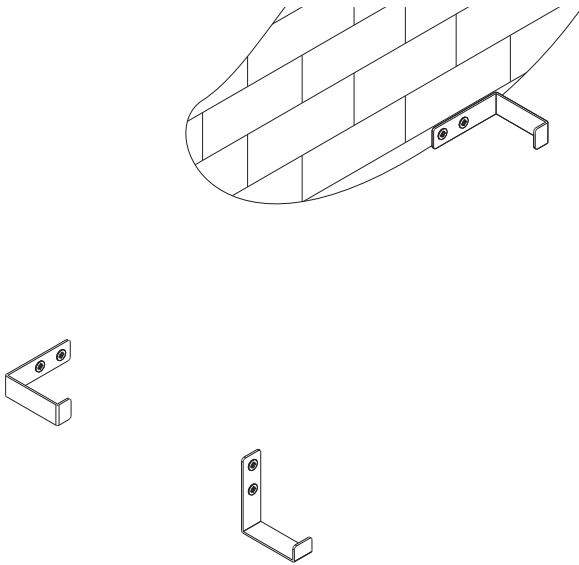


ASSEMBLY INSTRUCTION FOR TRAY DISPLAY HANGER INSTALLATION

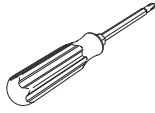
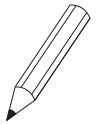
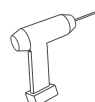
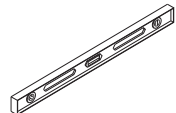
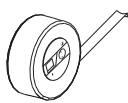
! AS WALL MATERIALS VARY, SCREWS FOR FIXING TO WALL ARE NOT INCLUDED. FOR ADVICE ON SUITABLE SCREW SYSTEMS, CONTACT YOUR LOCAL SPECIALISED DEALER.



HARDWARE ENCLOSED



TOOLS

 CROSS-HEAD SCREW DRIVER <small>(not included in package)</small>	 PENCIL <small>(not included in package)</small>
 DRILLING MACHINE <small>(not included in package)</small>	 WATERPASS <small>(not included in package)</small>
 MEASURING TOOL <small>(not included in package)</small>	

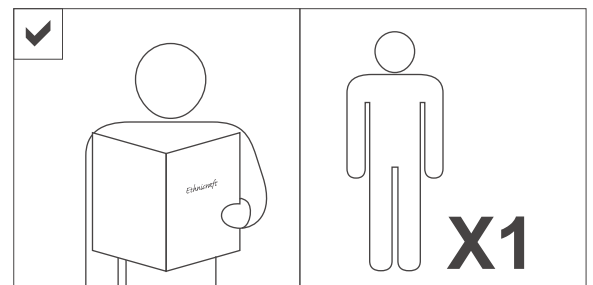
IN YOUR PACKAGE :

ASSEMBLY INSTRUCTION
HARDWARE

PARTS TO BE INSTALLED

1. HANGING HARDWARE 3pcs

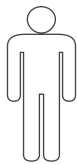
NOTICE



SYMBOLS



DIRECTION



NUMBER OF PERSON NEEDED



USE HAND



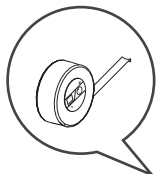
USE DRILLING MACHINE



USE SCREW DRIVER TO TIGHTEN



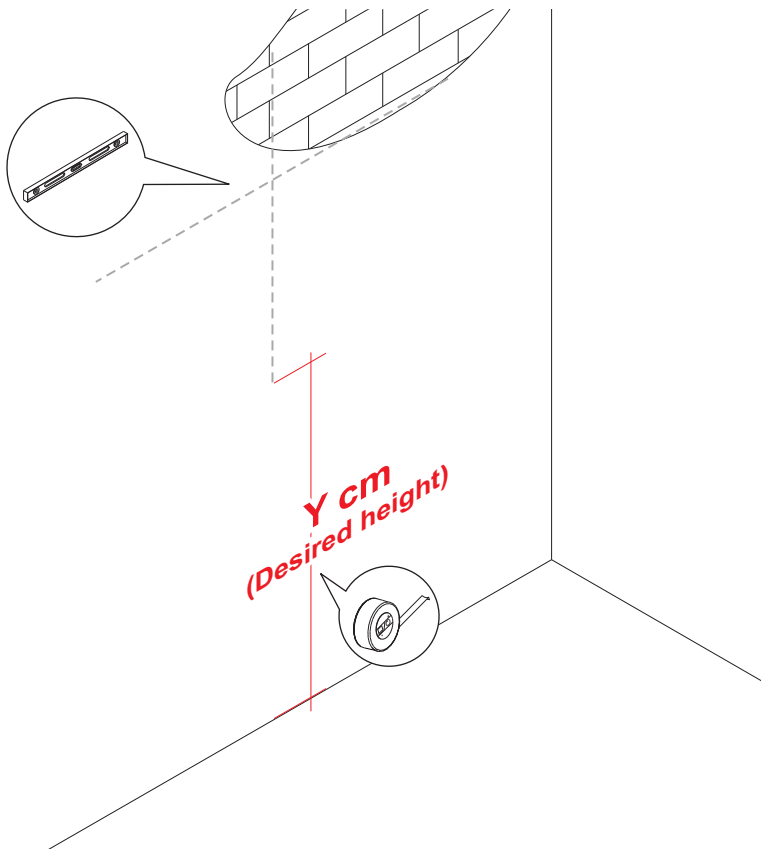
USE PENCIL



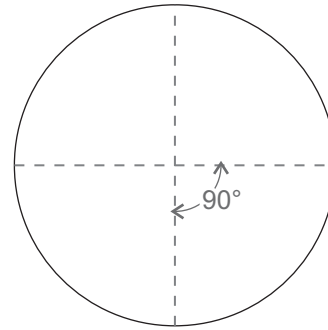
USE MEASURING TOOL

ASSEMBLY INSTRUCTION FOR TRAY DISPLAY HANGER INSTALLATION

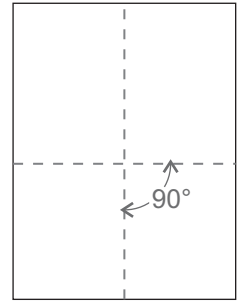
1 MAKE THE MARKS FOR DRILLING



MAKE A CROSS LINE FOR DRILLING REFERENCE

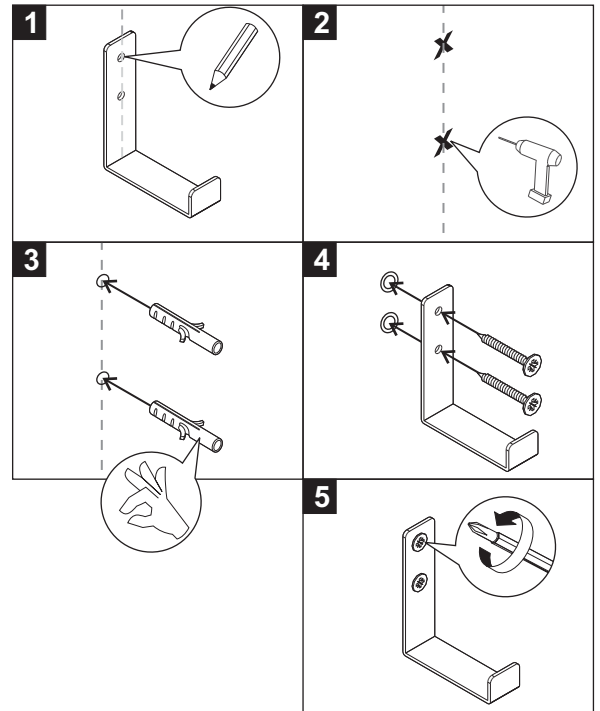
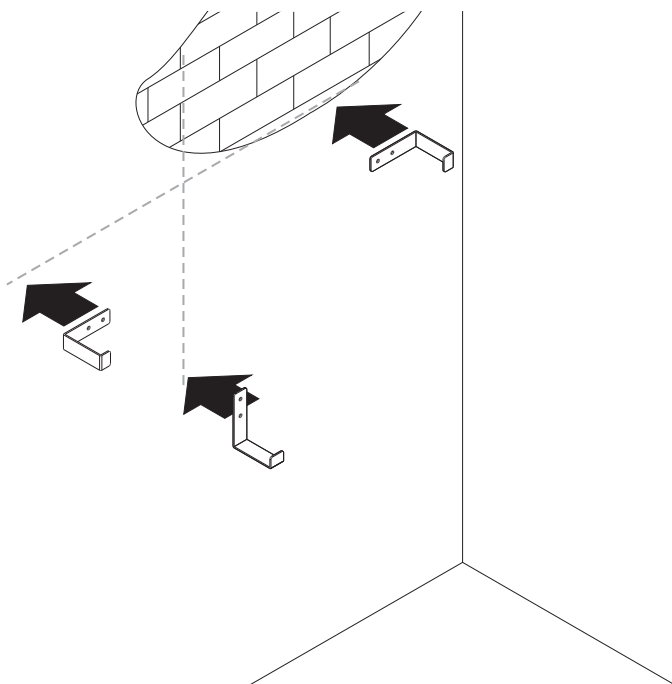


ROUND TRAY



RECTANGULAR TRAY

2 INSTALLING HANGING HARDWARE TO THE WALL



AS WALL MATERIALS VARY, SCREWS FOR FIXING TO WALL ARE NOT INCLUDED. FOR ADVICE ON SUITABLE SCREW SYSTEMS, CONTACT YOUR LOCAL SPECIALISED DEALER.

ASSEMBLY INSTRUCTION FOR TRAY DISPLAY HANGER INSTALLATION

ILLUSTRATION WITH ROUND TRAY

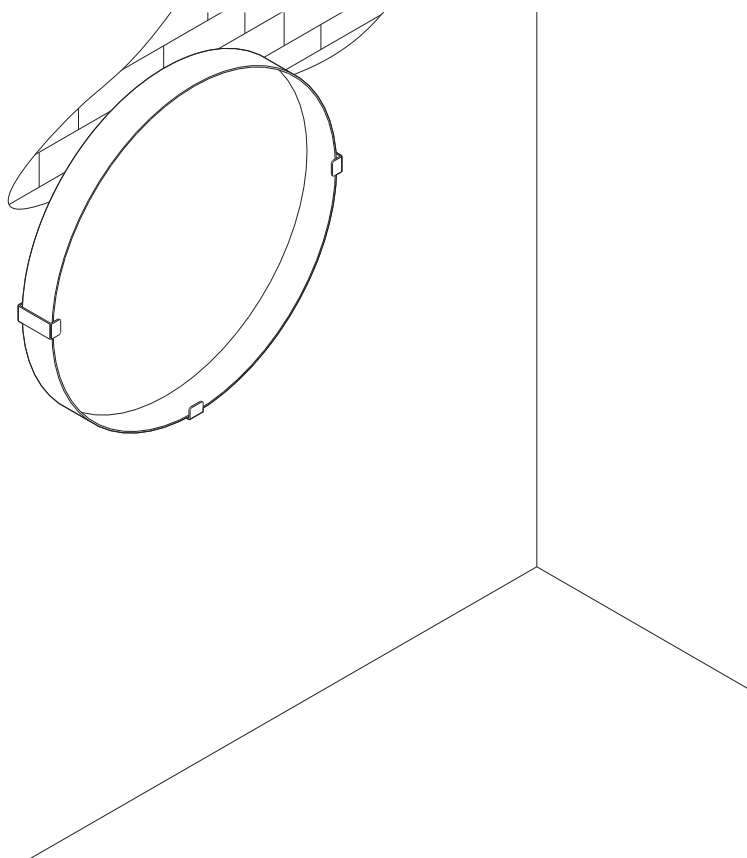


ILLUSTRATION WITH RECTANGULAR TRAY

