

COBRA GM2 // TABLE LAMP, EU MODEL

Designed by Greta Grossman

PRODUCT



Item no.: 005-0210X
+ style code

DESCRIPTION

The classic Cobra lamp takes its name from the shape of the oval shade, which is reminiscent of a Cobra's neck (or hood). The tubular flexible arm can be bent in all directions whilst the shade can be rotated through 360gr. The base is covered in powder-coated steel and weighted with cast iron stand. Switch integrated in the base.

VERSION - COBRA TABLE LAMP GM2

RAL codes are indicative.

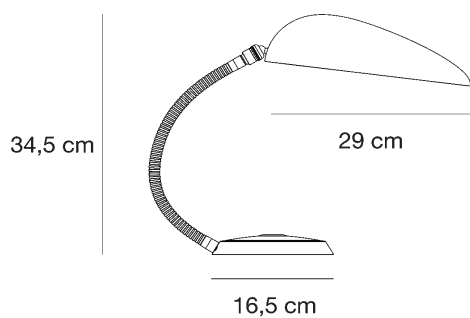
- Fabric wire - Black:
- Warm grey / White inside // RAL 085 60 10 / RAL 9003 // Gloss level 30 / Gloss level 20
- Vintage red / White inside // RAL 3012 / RAL 9003 // Gloss level 30 / Gloss level 20
- Anthracite grey / White inside // RAL 7016 / RAL 9003 // Gloss level 30 / Gloss level 20
- Blue grey / White inside // RAL 160 60 05 / RAL 9003 // Gloss level 30 / Gloss level 20
- Jet Black / White inside // RAL 9005 / RAL 9003 // Gloss level 30 / Gloss level 20

VERSION - COBRA TABLE LAMP GM2

Order item - look for part number in the pricelist.

Series contains the following:

GM1, GM2, GM3



COLOURS



// Warm grey



// Vintage red



// Anthracite grey



// Blue grey



// Jet Black

FACTS

MEASUREMENT - L X W X H MM

Lamp height: 343 mm
Lamp stand diameter: 168 mm
Shade height: 78 mm
Shade depth: 290/165 mm
Cable length, exposed: APP. 1670 mm
Cable length, total: APP. 2135 mm

WEIGHT ITEM - LAMP INCL. WIRE

2600 g

PACKAGING TYPE

Cardboard box

PACKAGING MEASUREMENT - L X W X H CM

L:40 X W:35 X H:50 cm

WEIGHT PACKAGING - MATERIAL TYPE (recyclable)

- Delivery note: 10 g
- LD-EPE foam: 5 g
- Paper egg crate: 1300 g
- PE polybag: 2 g
- Cardboard inside: 1000 g
- Cardboard outside, 5ply Corrugated: 1000 g

WEIGHT PACKAGING - TOTAL

5917 g

NUMBER OF PARCELS

1 pcs.

COBRA GM2 // TABLE LAMP, EU MODEL

Designed by Greta Grossman

ACCESSORIES

-

ENVIRONMENT

-

TESTS

-

CERTIFICATION AND LABELS

CE-CERTIFIED

SAFETY INSTRUCTIONS

If the cord or plug is damaged, unplug it from the socket with dry hands. Do not use the lamp until it is repaired by a qualified Electrician.

Bulb requirements:

- Socket: E14 base
- Recommended light source: All fluorescens light bulbs
- Recommended wattage: 9 W
- Max wattage: 13 W
- Recommended light source: Halogen light bulb
- Recommended wattage: 28 W
- Max wattage: 28 W

**Lightbulb not included*

**Euro plug: Type C, 2 PIN, 2,5 amp*

**Euro voltage: 230 V*

**Frequency: 50 Hz*

**Supply voltage: AC power ~*

**Normally Closed: IP20*



Class II / Double insulated



CE-Mark



Luminaires accepted for mounting on a flammable base