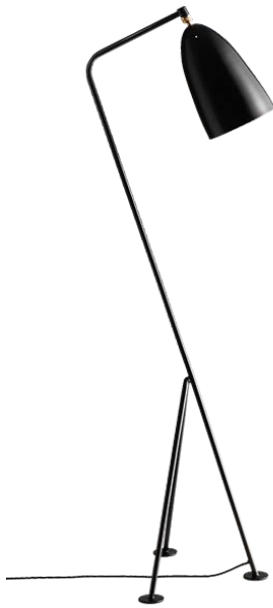


GRÄSHOPPA GM1 // FLOOR LAMP, EU MODEL

Designed by Greta Grossman

PRODUCT



Item no.: 005-0110X
+ style code

DESCRIPTION

The iconic Gräshoppa lamp was first produced in 1947. The tubular steel tripod stand is tilted backward whilst the elongated steel conical shade is mounted with a free moving joint in solid brass, consequently the light can be directional, yet the glare is minimal, both stand and shade are powder-coated and are available in 5 colours.

VERSION - GRASHOPPA FLOOR LAMP GM1

RAL codes are indicative.

- Fabric wire - Black:
- Warm grey / White inside // RAL 085 60 10 / RAL 9003 // Gloss level 20 / Gloss level 20
- Vintage red / White inside // RAL 3012 / RAL 9003 // Gloss level 20 / Gloss level 20
- Anthracite grey / White inside // RAL 7016 / RAL 9003 // Gloss level 20 / Gloss level 20
- Blue grey / White inside // RAL 160 60 05 / RAL 9003 // Gloss level 20 / Gloss level 20
- Jet Black / White inside // RAL 9005 / RAL 9003 // Gloss level 20 / Gloss level 20

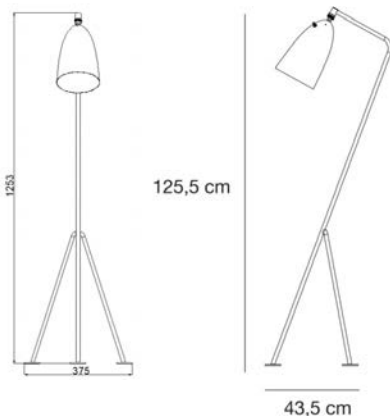
- Fabric wire - White:
- Matt white / White inside // RAL 9003 / RAL 9003 // Gloss level 20 / Gloss level 20

VERSION

Order item - look for part number in the pricelist.

Series contains the following:

GM1, GM2, GM3



COLOURS



// Warm grey



// Vintage red



// Anthracite grey



// Blue grey



// Jet Black



// Matt white

FACTS

MATERIAL

Shade: Powder-coated steel
Stand: Powder-coated steel tube Ø 12,7 mm
Swivel: Solid brass

MEASUREMENT - L X W X H MM

Lamp height: 1253 mm
Lamp stand: 375 X 435 mm
Shade height: 233 mm
Shade diameter: Ø150 mm
Cable length, exposed: APP.2150 mm
Cable length, total: APP.3250 mm

WEIGHT ITEM - LAMP INCL. WIRE

2300 g

PACKAGING TYPE

Cardboard box

PACKAGING MEASUREMENT - L X W X H CM

L:44 X W:44 X H:135 cm

WEIGHT PACKAGING - MATERIAL TYPE (recyclable)

- Delivery note: 10 g
- LD-EPE foam: 90 g
- PE polybag: 190 g
- Cardboard inside: 1260 g
- Cardboard outside, 5ply Corrugated: 4500 g

WEIGHT PACKAGING - TOTAL

8350 g

NUMBER OF PARCELS

1 pcs.

GRÄSHOPPA GM1 // FLOOR LAMP, EU MODEL

Designed by Greta Grossman

ACCESSORIES

-

ENVIRONMENT

-

TESTS

-

CERTIFICATION AND LABELS

CE-CERTIFIED

SAFETY INSTRUCTIONS

If the cord or plug is damaged, unplug it from the socket with dry hands. Do not use the lamp until

Bulb requirements:

- Socket: E14 base
- Recommended light source: All fluorescens light bulbs
- Recommended wattage: 9 W
- Max wattage: 13 W
- Recommended light source: Halogen light bulb
- Recommended wattage: 28 W
- Max wattage: 28 W

**Lightbulb not included*

**Euro plug: Type C, 2 PIN, 2,5 amp*

**Euro voltage: 230 V*

**Frequency: 50 Hz*

**Supply voltage: AC power ~*

**Normally Closed: IP20*



Class II / Double insulated



CE-Mark



Luminaires accepted for mounting on a flammable base