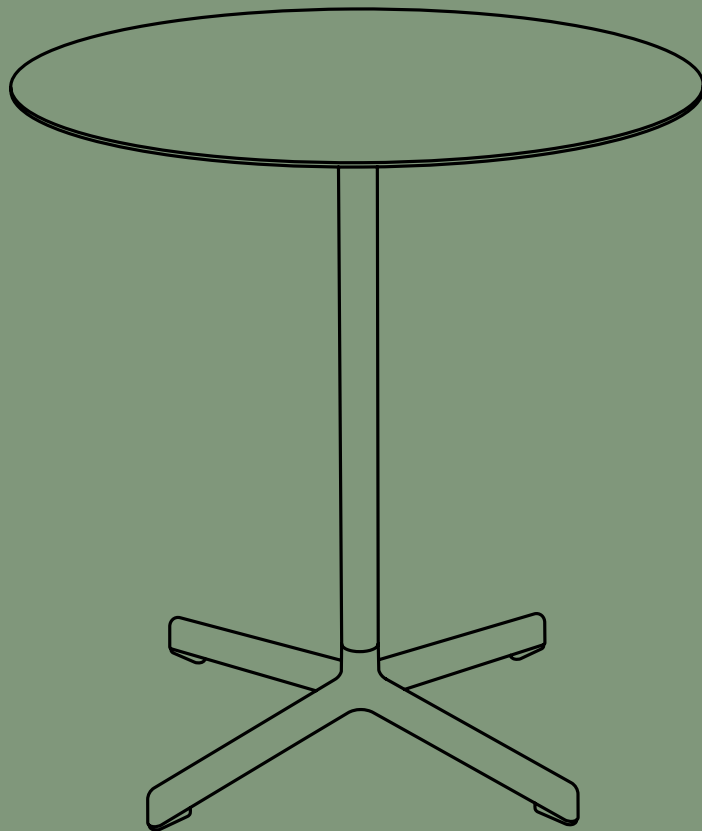


> INSTRUCTIONS MANUAL <

NEU TABLE



By HAY

HAY

> INTRODUCTION <

Neu Table is a small table designed by HAY with a round or a square tabletop. Neu Table fits a wide variety of indoor and outdoor environments, such as offices, cafés, restaurants, gardens, terraces and balconies.

Neu Table has an independent, versatile appearance that embraces both public and private environments.

> CARE AND MAINTENANCE <

The Neu Table is galvanized and has an outdoor powder coating which provides a barrier to corrosive elements making it suitable for outdoor use. It is designed to last, meeting the highest quality standards making it ideal for both private and public environments.

When you move the table, make sure to lift it rather than pulling or pushing it, as that would damage the legs and mountings. We recommend that you tighten up the screw on the table after one to two months' use. Minor spots of rust under the furniture and bases are considered as a natural result of general use and can be treated using the care instructions below. Placement in direct seafront can lead to corrosion. Avoid improper use such as putting your feet on the table. To avoid permanent stains and scratches, use coasters under damp, hot or coloured objects. Avoid covering the furniture with a plastic tablecloth or tarpaulin and avoid contact with damp or wet objects such as flowerpots over a longer time. Always remove stains quickly before they can do any permanent damage to the tabletop. We also recommend that bird droppings are quickly cleaned off as they may lead to a permanent corrosion or staining. It is important that the furniture is wiped off if it is wet after rain or snowfall as this will damage the surface over time.

CLEANING

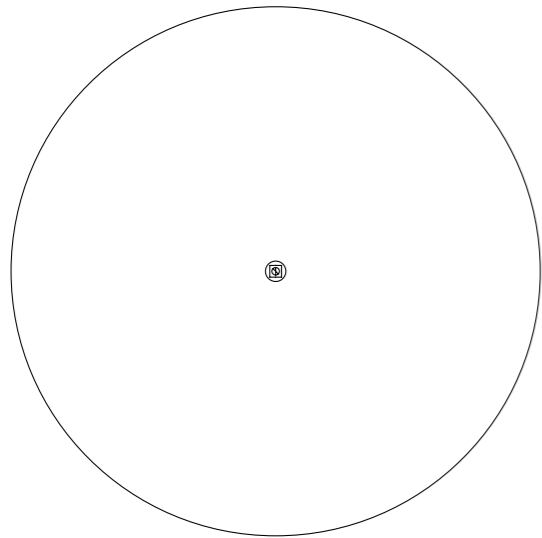
Powder coated steel / Clean with a soft cloth wrung in either clean water or a solution of water and a mild neutral detergent. Remove soap residue immediately

using a clean, dry cloth. Do not use solvents as they may have an adverse effect on the coating. Avoid using scouring cream or scouring pads, as they may scratch the surface. In the event of lime deposits on the surface use a clean, damp cloth wrung in lukewarm water with one part vinegar to nine parts water and avoid scrubbing as this may scratch the surface. Never use acetic acid or citric acid. Small scratches or damage to the powder coated surfaces can lead to corrosion. They can be retouched and protected from corrosion with a special repair lacquer available at HAY stores and authorized dealers. If the metal is uncovered it is necessary to sand the area before repairing it (grain 220). Wipe it over with a clean dry cloth and clean the area with methylated spirits before repainting it.

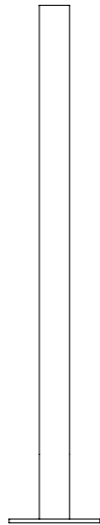
STORAGE

The lifespan of your table will vary depending on the weather and type of use. We recommend that it is stored in a dry, ventilated place during winter and protected against scratches and bumps.

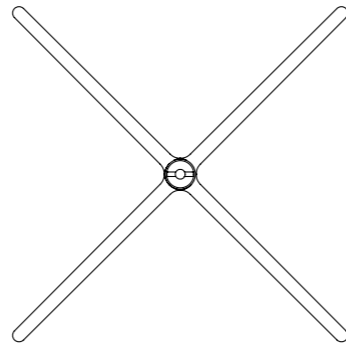
> PARTS <



A x 1



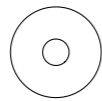
B x 1



C x 1



D x 1



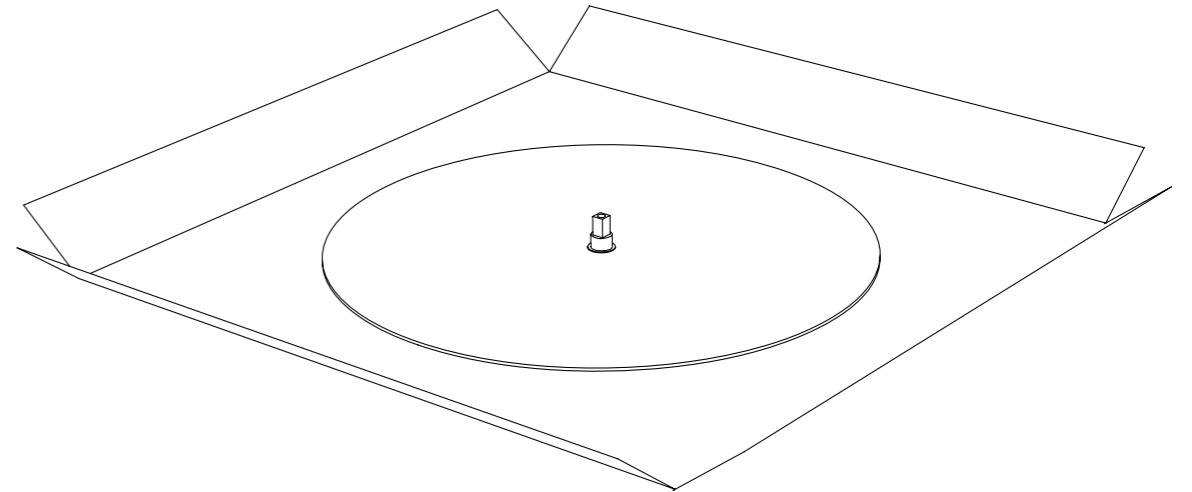
E x 1



Allen key

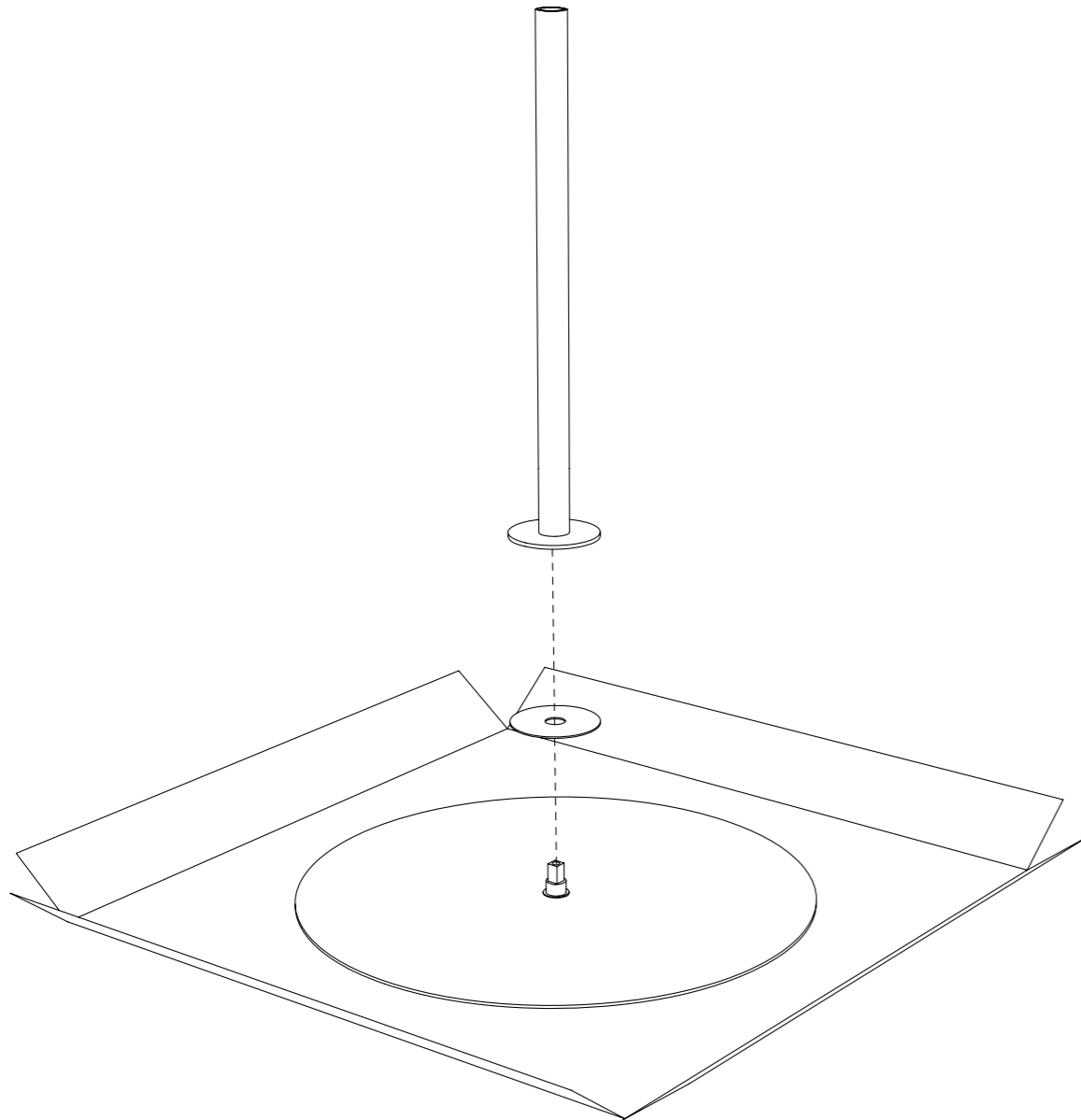
1.

While assembling, keep the table inside the cardboard box to protect the tabletop from scratches etc.



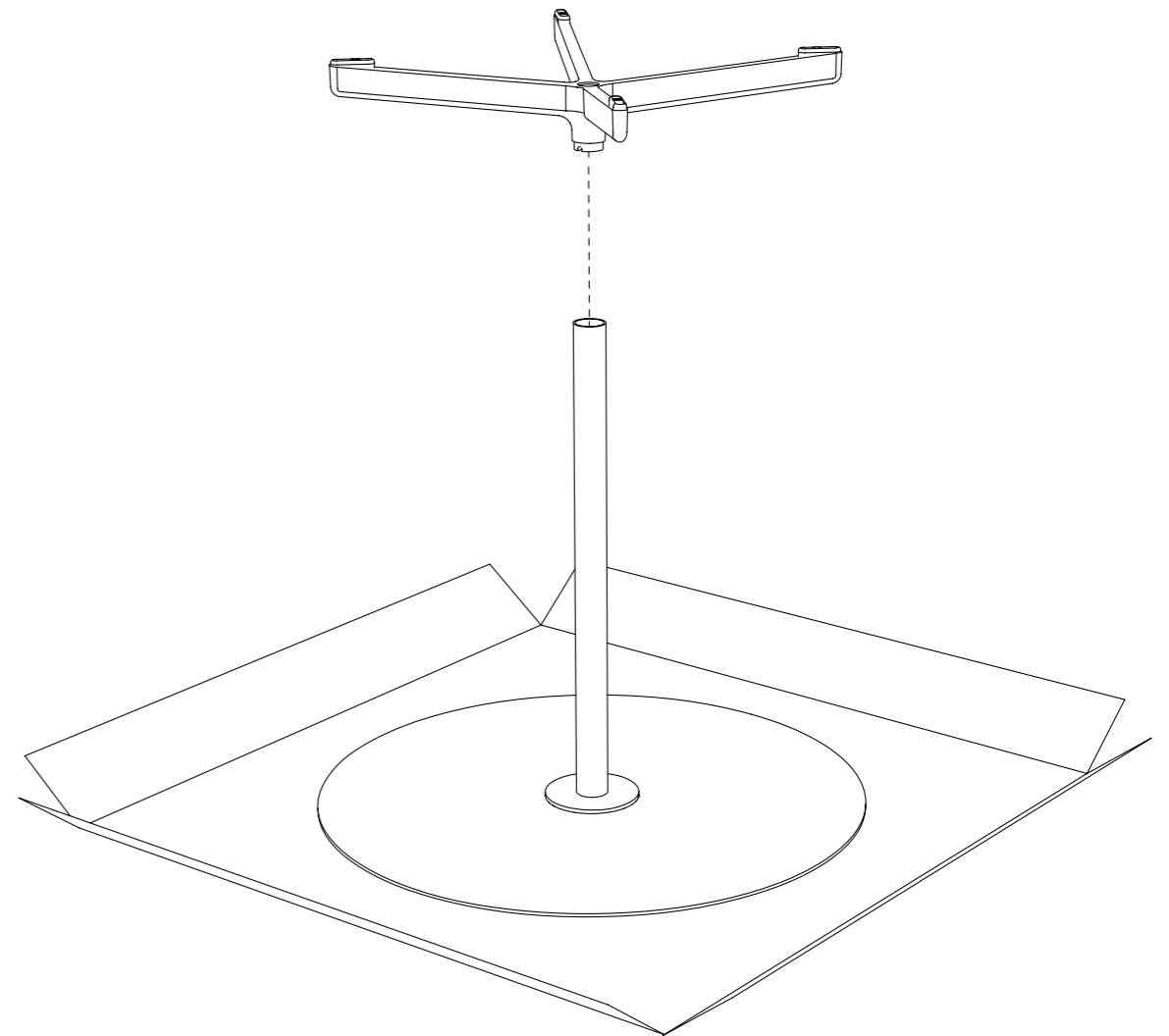
2.

Place the big washer (part E) on the tabletop.
Then place part B on top of the washer.



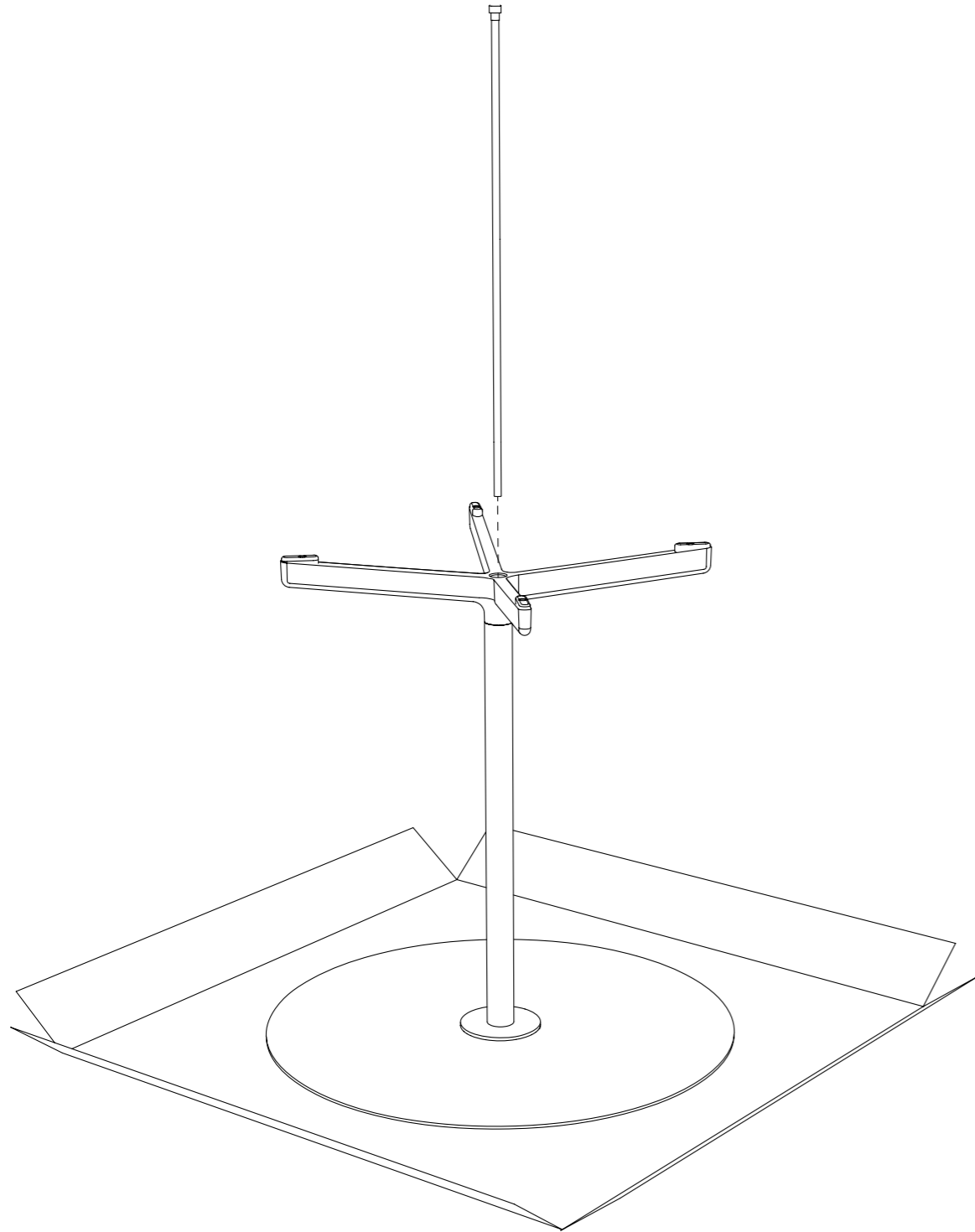
3.

Insert part C into part B.



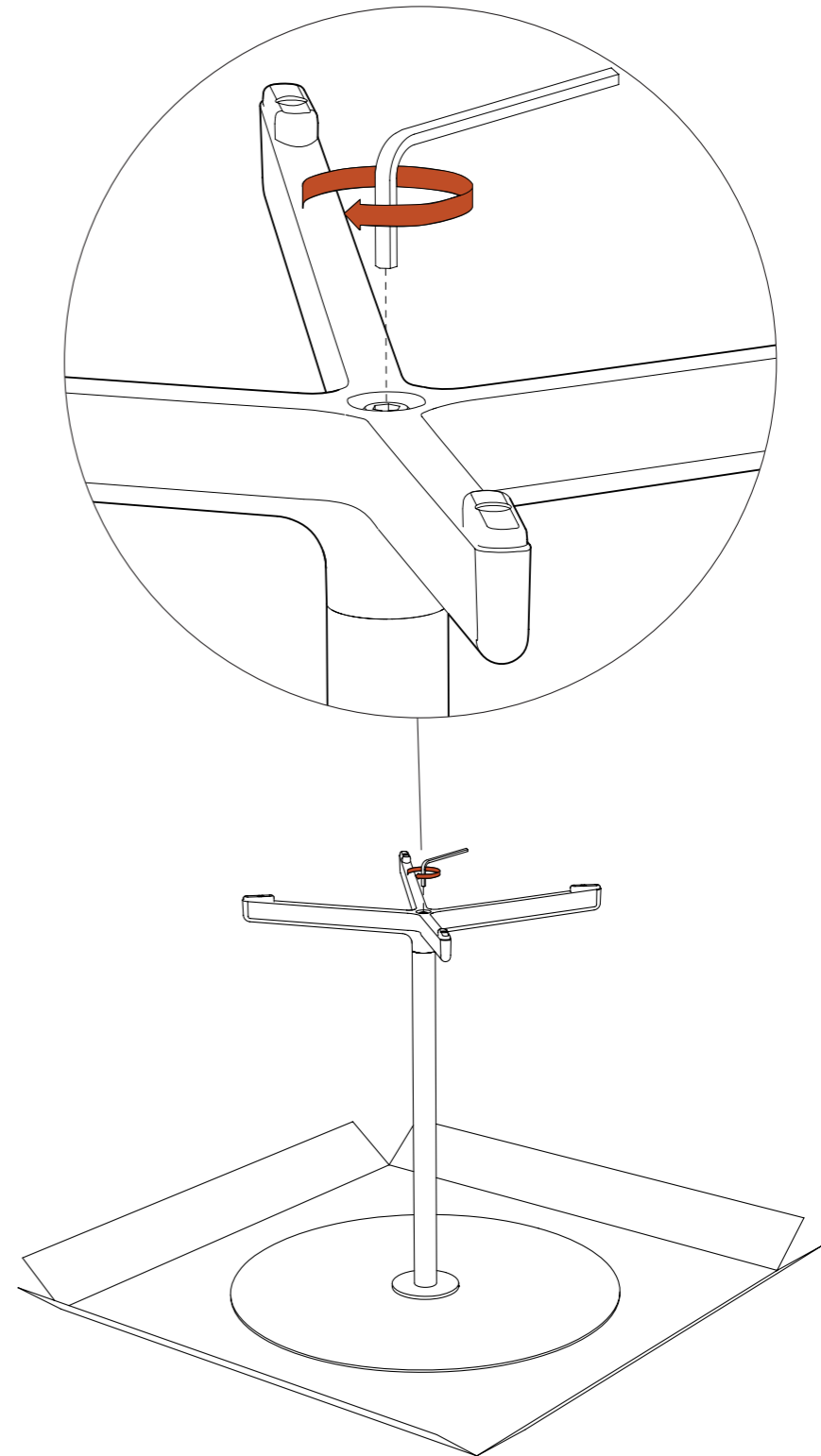
4.

Insert part D through the hole in part C and make contact with the threaded part in the tabletop.



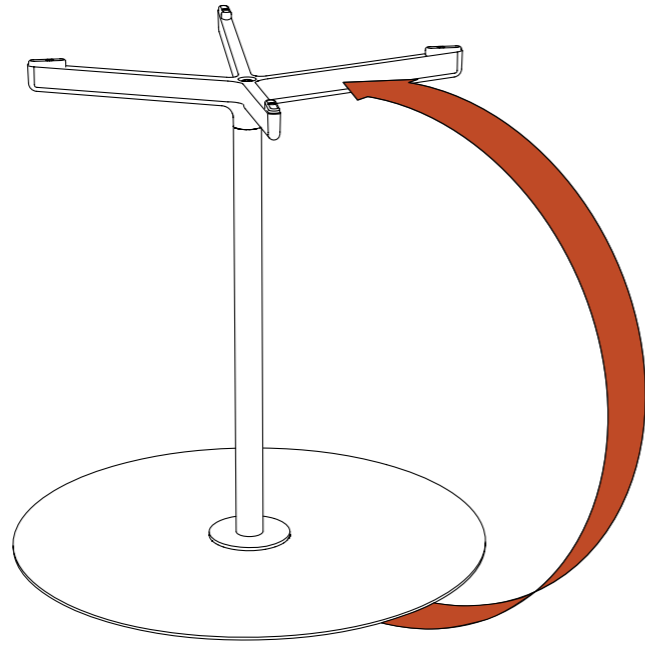
5.

Tighten part D.



6.

Flip the table (2 persons recommended).





Havnen 1 8700 Horsens Denmark
+45 4282 0282 / hay@hay.dk

HAY

ITEM NO. 706321



5 710441 20823 5