

Information: The content of this document, in particular the mentioned models, is protected by copyrights and/or design rights. The present document and its content is communicated to you for information purposes only. Any partial or total reproduction or any other use without our prior written permission is strictly prohibited.

This technical sheet remains subject to possible changes. All dimensions are in mm, unless mentioned otherwise. Extremis is not responsible for the errors in the documentation of products. All measurements are approximate and are provided for informational purposes only.

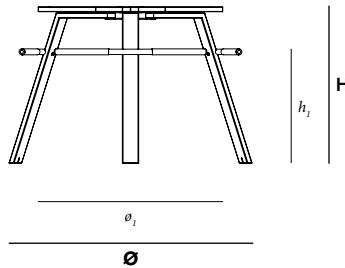
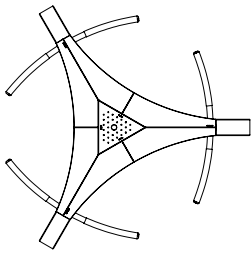
TECH SHEET
20151026

ABACHUS

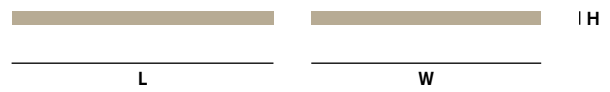


Versions & options:

Abachus | small ashtray | big ashtray | floor fastening



BOX 1: TABLETOP



BOX 2: LEGS



BOX 3: CONNECTION PIECES



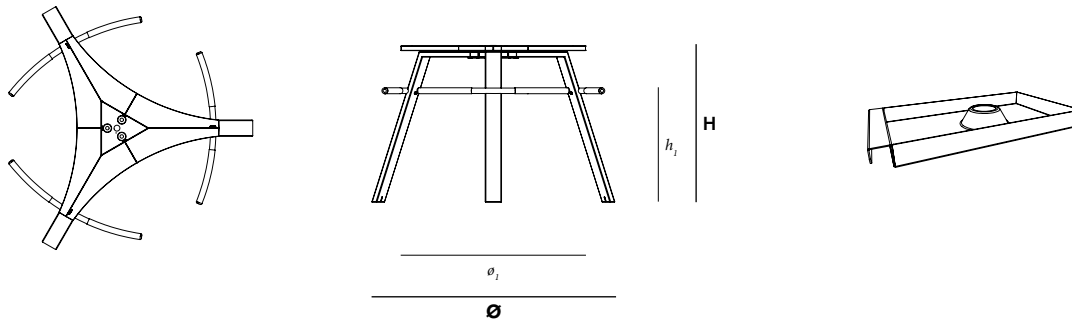
BOX 4: SEATING TUBES



Dimensions (mm)	Ø	H	h ₁	h ₁
Abachus	2003	1150	1504	842

Box dimensions (mm)		L	W	H	Qty (#)	Volume (m ³)	Gross weight (kg)	Net weight (kg)	Packaging weight (kg)
Abachus	Box 1	1385	1216	70	1	0,12	66,66	63,92	2,74
	Box 2	1450	500	140	1	0,10	46,55	46,11	0,44
	Box 3	430	380	60	1	0,01	7,29	6,85	0,44
	Box 4	1150	210	140	1	0,03	9,16	8,58	0,58
	total:					0,26	129,66	125,46	4,20

OPTIONAL SMALL ASHTRAY



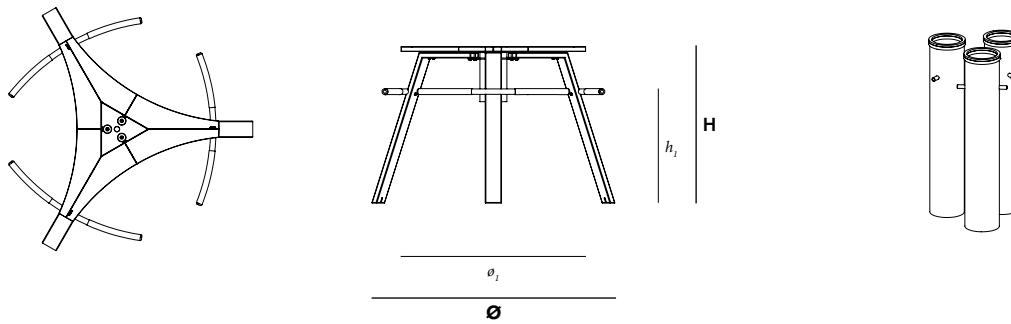
Dimensions (mm)	Ø	H	ø ₁	h ₁
Abachus with small ashtray (2l)	2003	1150	1504	842

BOX 5: SMALL ASHTRAY



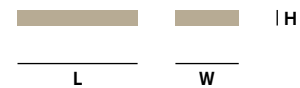
Box dimensions (mm)		L	W	H	Qty (#)	Volume (m³)	Gross weight (kg)	Net weight (kg)	Packaging weight (kg)
Small ashtray	Box 5	530	270	50	1	0,01	5,60	5,18	0,42

OPTIONAL BIG ASHTRAY



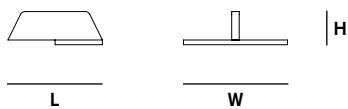
Dimensions (mm)	Ø	H	ø ₁	h ₁
Abachus with big ashtray (6l)	2003	1150	1504	842

BOX 6: BIG ASHTRAY



Box dimensions (mm)		L	W	H	Qty (#)	Volume (m³)	Gross weight (kg)	Net weight (kg)	Packaging weight (kg)
Big ashtray	Box 6	635	335	80	1	0,02	5,61	5,19	0,42

OPTIONAL FLOOR FASTENING



BOX 7: FLOOR FASTENING



Dimensions (mm)	L	W	H
Floor fastening	100	110	35

Box dimensions (mm)		L	W	H	Qty (#)	Volume (m³)	Gross weight (kg)	Net weight (kg)	Packaging weight (kg)
Floor fastening	Box 7	200	140	140	1	0,01	1,57	1,50	0,07

TABLETOP



Iroko hardwood

FRAME & LEGS



Galvanised steel



Materials	Key facts	Thickness	Layer thickness	Density	In/outdoor	Water	UV colour fastness	Flame retarding
		mm	micron					
Galvanised steel frame & legs	<ul style="list-style-type: none"> • most durable method for protecting metal from rusting • protective layer • very long life span • can perfectly be recycled 	2	50 - 100	7,50 10 ³ kg/m ³	outdoor & indoor	n.a.	very good, galvanisation will however become dull when used outdoors	NEN-EN13501-1 A1 *
Stainless steel tabletop	<ul style="list-style-type: none"> • high rusting resistance • periodical maintenance 	1,50	n.a.	8,00 10 ³ kg/m ³	outdoor & indoor	n.a.	very good	NEN-EN13501-1 A1 *
Iroko tabletop	<ul style="list-style-type: none"> • few maintenance • feels nice in cold and very hot weather 	35	n.a.	600 à 700 kg/m ³	outdoor & indoor	n.a.	untreated wood turns grey after a while	/
Pvc protection tubes	<ul style="list-style-type: none"> • very strong and comfortable to lean on • will not stain on clothing • dip moulding 	2	n.a.	1,16 10 ³ kg/m ³	outdoor & indoor	n.a.	very good	/

* NEN-EN13501-1 A1

Class A1 products will not contribute in any stage of the fire including the fully developed fire. For that reason they are assumed to be capable of satisfying automatically all requirements of all lower classes.

APPLICATIONS

Public: pubs, restaurants, office buildings, exhibition centres, or public spaces requiring a smoking area.

GOOD TO KNOW

1. Minimum space needed for legs: Ø2003 mm
2. The hole in the tabletop to place an umbrella is Ø40 mm
3. Small ashtray 2 liter / Big ashtray 6 liter.
4. If you purchase an Abachus without ashtray, it is not possible to mount an ashtray afterwards.
5. Abachus combines perfectly with the Inumbrina ø25 parasol.



FLOOR FASTENING

Abachus can be fixed to the floor with our anchoring set (to be ordered separately): three jugged steel plates to be fixed with bolts. Use suitable bolts or screws from a DIY store depending on the material your terrace is made of; and combine them with this four-part floor-fastening set.



F.A.Q.

Q: Do you need to oil the wood?

A: When delivered, the wood is untreated. Exposure to sun and rain will gradually change their colour to silvery grey, and also roughen the surface. If you want to somewhat retain their original colour, you should oil them once a year. We recommend using RMC Hybrid Wood Protector. This treatment will also reduce the wood's proneness to splits, cracks, (grease) stain absorption, etc. To clean the wood you can use special products (www.rmc-extremis.com) or simply a stiff bristle brush and some water. Be careful not to irreparably damage the wood fibres. For this reason, never use a high pressure cleaner.

MAINTENANCE

Download the manuals from our website for maintenance instructions.