

**Information:** The content of this document, in particular the mentioned models, is protected by copyrights and/or design rights. The present document and its content is communicated to you for information purposes only. Any partial or total reproduction or any other use without our prior written permission is strictly prohibited.

This technical sheet remains subject to possible changes. All dimensions are in mm, unless mentioned otherwise. Extremis is not responsible for the errors in the documentation of products. All measurements are approximate and are provided for informational purposes only.

**TECH SHEET**  
20160713

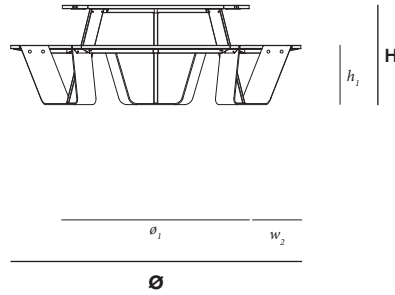
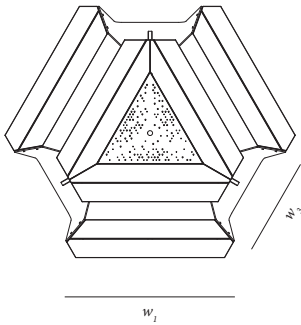
# ANKER

**extremis®**



**Versions:**

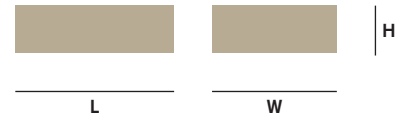
Anker galvanised | Anker powder coated | floor fastening



BOX 1: 3 BENCHES



BOX 2: 3 BENCH LEGS



BOX 3: TABLETOP



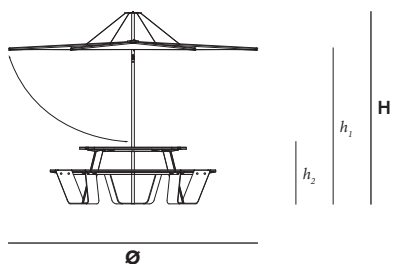
BOX 4: 3 TABLE LEGS



Dimensions (mm)	Ø	H	ø <sub>1</sub>	w <sub>1</sub>	w <sub>2</sub>	w <sub>3</sub>	h <sub>1</sub>
Anker	2168	740	1436	1241	283	621	442

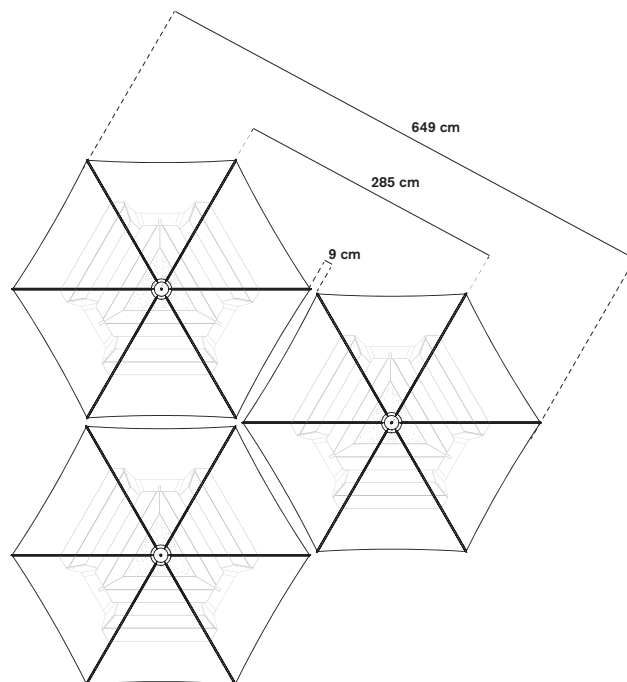
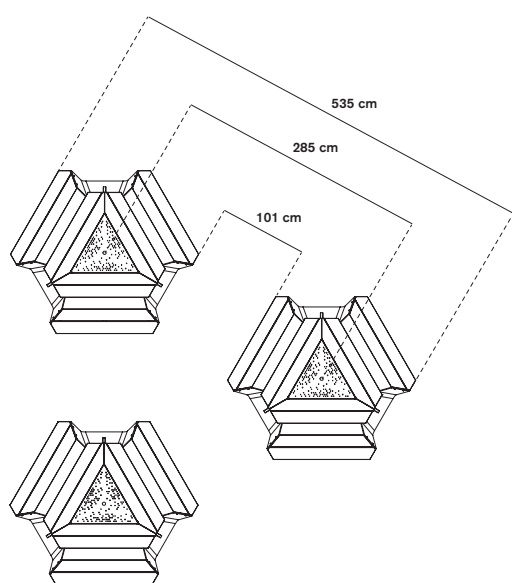
Box dimensions (mm)		L	W	H	Qty (#)	Volume (m³)	Gross weight (kg)	Net weight (kg)	Packaging weight (kg)
Anker galvanised	Box 1	1265	225	320	1	0,09	25,00	23,40	2,60
	Box 2	840	660	250	1	0,14	55,00	52,50	2,50
	Box 3	1440	1280	95	1	0,18	28,00	23,50	4,50
	Box 4	810	135	130	1	0,01	9,00	8,60	0,40
	<b>total:</b>				<b>0,42</b>		<b>117,00</b>	<b>108,00</b>	<b>10,00</b>
Anker powder coated	Box 1	1265	225	320	1	0,09	25,00	23,40	2,60
	Box 2	810	135	130	1	0,14	55,00	52,50	2,50
	Box 3	1440	1280	95	1	0,18	28,00	23,50	4,50
	Box 4	840	660	250	1	0,01	9,00	8,60	0,40
	<b>total:</b>				<b>0,42</b>		<b>117,00</b>	<b>108,00</b>	<b>10,00</b>

**ANKER WITH INUMBRINA Ø320**

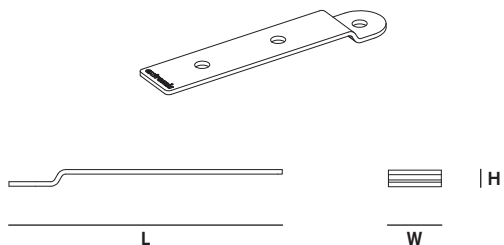


Dimensions (mm)	Ø	H	h <sub>1</sub>	h <sub>2</sub>
Inumbrina ø320 with Anker	3200	2506	2009	844

**RECOMMENDED INSTALLATION**



**OPTIONAL FLOOR FASTENING**



BOX 5: FLOOR FASTENING



Dimensions (mm)	L	W	H
Floor fastening	181	35	11

Box dimensions (mm)		L	W	H	Qty (#)	Volume (m³)	Gross weight (kg)	Net weight (kg)	Packaging weight (kg)
Floor fastening	Box 5	200	140	140	1	0,01	1,27	1,20	0,07

## LEGS



Galvanised steel



Earth



White  
(ral 9003)



Black brown  
(ral 8022)

## TABLETOP CENTERPLATE



White  
(ral 9003)



Earth



Black brown  
(ral 8022)

## TABLETOP & BENCH



Iroko hardwood



H.O.T. wood



## FRAME



Galvanised steel

Materials	Key facts	Thickness	Layer thickness	Density	In/outdoor	Water	UV colour fastness	Flame retarding
		mm	micron					
Powder coated aluminium legs	<ul style="list-style-type: none"> <li>a technique of applying dry paint to a part</li> <li>electrostatically charged and sprayed onto the object</li> </ul>	8	60	7,50 10 <sup>3</sup> kg/m <sup>3</sup>	outdoor & indoor	n.a.	very good: colour can fade a little bit when exposed to UV	NEN-EN 13501-1 A2-s1 **
Powder coated steel bench support	<ul style="list-style-type: none"> <li>electro galvanised (for an extra protection against rust), then powder coated</li> <li>protective layer</li> <li>very long life span</li> <li>can perfectly be recycled</li> </ul>	8	50 - 100	7,50 10 <sup>3</sup> kg/m <sup>3</sup>	outdoor & indoor	n.a.	very good, galvanisation will however become dull when used outdoors	NEN-EN13501-1 A1 *
Iroko tabletop & benches	<ul style="list-style-type: none"> <li>few maintenance</li> </ul>	25	n.a.	600 - 700 kg/m <sup>3</sup>	outdoor & indoor	n.a.	untreated wood turns grey after a while	/
H.O.T. wood tabletop & bench	<ul style="list-style-type: none"> <li>very ecological</li> <li>made from European ash</li> <li>very stable</li> <li>needs few maintenance</li> <li>carries the PEFC™ label for durable forestry</li> </ul>	25	n.a.	600 kg/m <sup>3</sup>	outdoor & indoor	n.a.	untreated wood turns grey after a while	/
Galvanised steel frame	<ul style="list-style-type: none"> <li>most durable method for protecting metal from rusting</li> <li>protective layer</li> <li>very long life span</li> <li>can perfectly be recycled</li> </ul>	3	50 - 100	7,50 10 <sup>3</sup> kg/m <sup>3</sup>	outdoor & indoor	n.a.	very good, galvanisation will however become dull when used outdoors	NEN-EN13501-1 A1 *
ZnAlMg-coated steel tabletop + powder coating	<ul style="list-style-type: none"> <li>a technique of applying dry paint to a part</li> <li>electrostatically charged and sprayed onto the object</li> </ul>	1,50	60	7,50 10 <sup>3</sup> kg/m <sup>3</sup>	outdoor & indoor	n.a.	very good: colour can fade a little bit when exposed to UV	NEN-EN 13501-1 A2-s1 **

\* NEN-EN13501-1 A1

Class A1 products will not contribute in any stage of the fire including the fully developed fire. For that reason they are assumed to be capable of satisfying automatically all requirements of all lower classes.

\*\* NEN-EN 13501-1 A2-s1

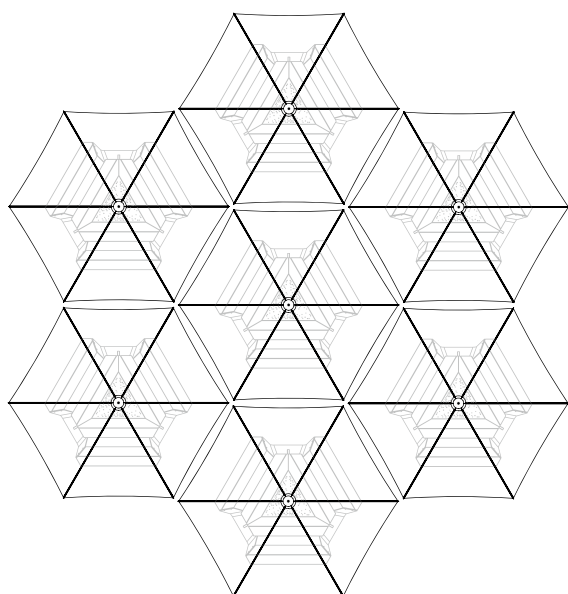
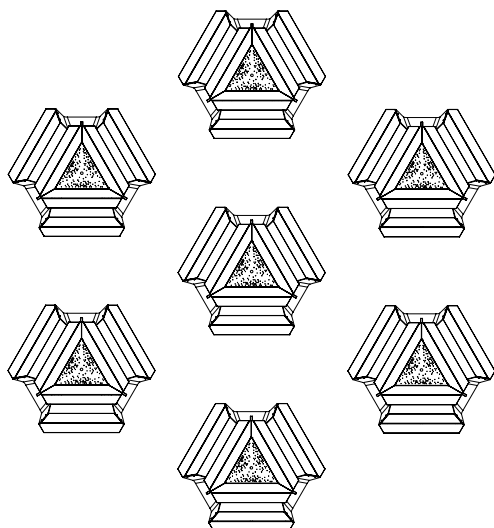
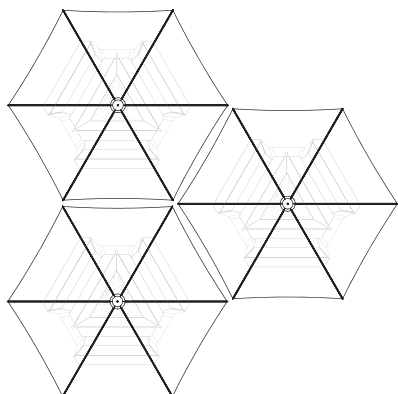
Satisfying the same criteria as class B for the SBI-test according to EN 13823. In addition, under conditions of a fully developed fire these products will not significantly contribute to the fire load and fire growth.

## APPLICATIONS

**Private:** on terraces, patios, indoors, rooftops, ...

**Public:** hotel and catering industry, company terraces, public spaces,...

**Recommended combinations:** 3 - 5 - 7 - ...



## FLOOR FASTENING

Anker can be fixed to the floor with our anchoring set (to be ordered separately): three jugged steel plates to be fixed with bolts. Use suitable bolts or screws from a DIY store depending on the material your terrace is made of: and combine them with this three-part floor-fastening set.

## F.A.Q.

*Q: Do you need to oil the wood?*

*A: Only if you want to maintain the original dark colour of the wood. If you don't treat it with oil, the wood will turn grey.*

## MAINTENANCE

Download the manuals from our website for maintenance instructions.

## GOOD TO KNOW

1. PEFC<sup>®</sup> certified wood originates from sustainably managed forests.
2. The hole in the tabletop to place an umbrella is  $\varnothing 37$  mm
3. Anker combines perfectly with Inumbrina  $\varnothing 320$ .

