

Information: The content of this document, in particular the mentioned models, is protected by copyrights and/or design rights. The present document and its content is communicated to you for information purposes only. Any partial or total reproduction or any other use without our prior written permission is strictly prohibited.

This technical sheet remains subject to possible changes. **All dimensions are in mm**, unless mentioned otherwise. Extremis is not responsible for the errors in the documentation of products. All measurements are approximate and are provided for informational purposes only.

TECH SHEET
20150715

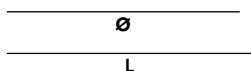
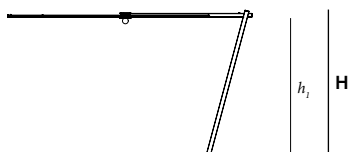
KOSMOS PARASOL

{extremis}
tools for togetherness

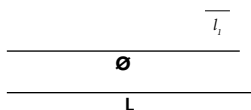
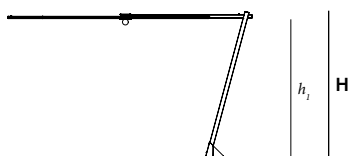


Versions & options:

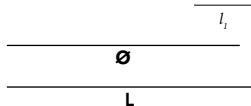
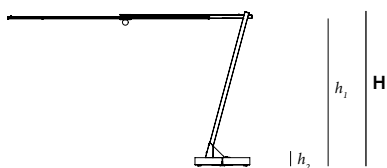
*round parasol | round parasol high | square parasol | square parasol high |
floor fastening | concrete base | concrete wheel base*



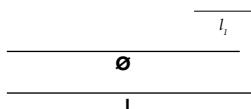
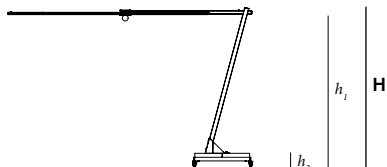
Dimensions (mm)	Ø	L	H	h ₁
Round parasol for Kosmos	3266	3387	2005	1905
Round parasol high for Kosmos	3266	3387	2154	2054



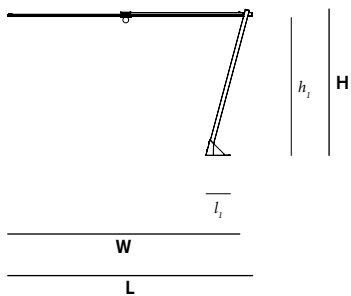
Dimensions (mm)	Ø	L	H	l ₁	h ₁
Round parasol with floor fastening	3266	3387	2005	339	1905
Round parasol high with floor fastening	3266	3387	2154	339	2054



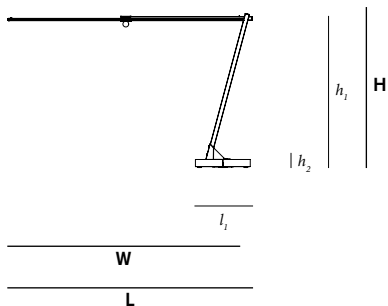
Dimensions (mm)	Ø	L	H	h ₁	h ₂	l ₁
Round parasol on concrete base	3266	3387	2137	2032	112	760
Round parasol high on concrete base	3266	3387	2285	2180	112	760



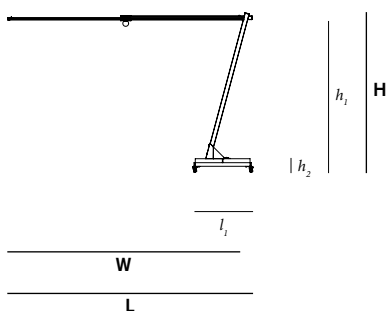
Dimensions (mm)	Ø	L	H	h ₁	h ₂	l ₁
Round parasol on concrete wheel base	3266	3387	2215	2110	190	825
Round parasol high on concrete wheel base	3266	3387	2363	2258	190	825



Dimensions (mm)	L	W	H	l_1	h_1
Square parasol with floor fastening	3387	3266	2005	339	1905
Square parasol high with floor fastening	3387	3266	2154	339	2054



Dimensions (mm)	L	W	H	l_1	h_1	h_2
Square parasol on concrete base	3387	3266	2137	760	2032	112
Square parasol high on concrete base	3387	3266	2285	760	2180	112

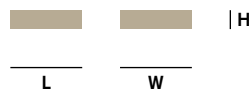


Dimensions (mm)	L	W	H	l_1	h_1	h_2
Square parasol on concrete wheel base	3266	3387	2215	825	2110	190
Square parasol high on concrete wheel base	3266	3387	2363	825	2258	190

BOX 1: KOSMOS PARASOL



BOX 2: CONCRETE BLOCK



BOX 3: GALVANISED FRAME



Box dimensions (mm)		L	W	H	Qty (#)	Volume (m³)	Gross weight (kg)	Net weight (kg)	Packaging weight (kg)
Round parasol	Box 1	2250	250	250	1	0,14	27,61	24,33	3,28
Round parasol high	Box 1	2250	250	250	1	0,14	30,61	27,33	3,28
Square parasol	Box 1	2675	260	290	1	0,20	29,85	26,57	3,28
Square parasol high	Box 1	2675	260	290	1	0,20	32,85	29,57	3,28
Concrete base	Box 2	380	380	100	4	0,06	118,80	117,20	1,60
Concrete wheel base	Box 2	380	380	100	4	0,06	118,80	117,20	1,60
	Box 3	800	800	50	1	0,03	7,70	7,30	0,40
	total:				0,09		126,50	124,50	2,00

The parts mentioned below are delivered inside the parasol box 1:
 - floor fastening: KC 5,20 kg

FABRIC



White



Taupe



Black



Materials	Key facts	Thickness	Layer thickness	Density	In/outdoor	Water	UV colour fastness	Flame retarding
		mm	micron					
High tech polyester fabric	<ul style="list-style-type: none"> • high UV resistance and ultra strong • low weight / high tear strength • long term appearance 	0,37	n.a.	250 g/m ²	outdoor & indoor	the fabric has a water column of 350mm (EN 20811)	7/8 (ISO 105-B02)	/
Stainless steel pole & bottom part	<ul style="list-style-type: none"> • high rusting resistance • periodical maintenance 	2 - 16	n.a.	8,00 10 ³ kg/m ³	outdoor & indoor	n.a.	very good	NEN-EN 13501-1 A1 *
Concrete base	<ul style="list-style-type: none"> • made under high pressure • matt and porous 	100	n.a.	2,10 10 ³ kg/m ³	outdoor & indoor	n.a.	very good	NEN-EN 13501-1 A1 *
Galvanised frame for concrete base	<ul style="list-style-type: none"> • most durable method for protecting metal from rusting • protective layer • very long life span • can perfectly be recycled 	2 - 10	50 - 100	7,50 10 ³ kg/m ³	outdoor & indoor	n.a.	very good: galvanisation will however become duller when used outdoors	NEN-EN 13501-1 A1 *
LED-light with dimmer	<ul style="list-style-type: none"> • colour temperature of 3000K (warm white) • 350mA • 7W • 110 - 220 V; 50 - 60 Hz. 	n.a.	n.a.	n.a.	outdoor & indoor	IP65	/	/
Cover	<ul style="list-style-type: none"> • polyester 	0,50	n.a.	400 g/m ²	outdoor & indoor	one side very waterproof, one side breathable	6-8/8 (ISO 105-B02)	BS 7837

* NEN-EN13501-1 A1

Class A1 products will not contribute in any stage of the fire including the fully developed fire. For that reason they are assumed to be capable of satisfying automatically all requirements of all lower classes.

APPLICATIONS

Freestanding, on concrete (wheel) base.

Kosmos Parasol combines perfectly with Kosmos.

FLOOR FASTENING

For anchoring directly to the floor place the stainless steel part on the floor and mark the spots to drill the holes.



INSTRUCTIONS

You can open and close the parasol like a fan. The parasol closed by means of a magnet.



GOOD TO KNOW

Tests in a wind tunnel have shown that the parasol resists up to 6 Beaufort. Attention, we advice to close the parasol from 4 Beaufort on.

Put the leather strap on the parasol to prevent the parasol from opening.

This leather strap can also be used to keep the parasol open:
- in case of rain: creates water draining
- after a long time not being in use, it's possible that the magnets don't keep closed well.

F.A.Q.

Q: Is the parasol wind resistant?

A: The parasol resists up to 6 Beaufort. Put the parasol with its opening pointed at the wind direction. If there's too much wind, the parasol will close automatically.

IMPORTANT

We strongly advice to acquire the cover for outdoor use. When applying the cover correctly, the parasol can be left outdoors.

ATTENTION

We advice to close the parasol and apply the cover from 4 Beaufort on.

MAINTENANCE

Download the manuals from our website for maintenance instructions.