

m o o o i[®]



Filigree Floor Lamp

“What distinguishes a lamp from a light source?” is the question that initially triggered Rick Tegelaar to imagine and create the Filigree Floor lamp.

Designer	Rick Tegelaar
Year of design	2016
Material	PP translucent, brass, Stainless Steel, Aluminium
Additional	Solid State LED



Technical

Amount of LED's:

1 Power LED

Colour temperature (degrees Kelvin, K) Colour rendering index:

2700K (warm white, comparable to incandescent) CRI_Ra > 80

Luminous flux (Lumen, lm):

3346 lm

Power consumption MAX 40W

Cable Length

plug to lamp: 3m

switch to lamp: 1,5m

Cable Colour

Transparent

Filigree technical (ce)



Input voltage of 110-240V ~50/60Hz

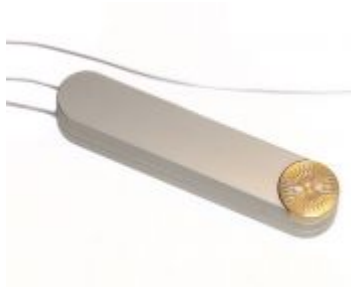
Filigree technical (ul)



Input voltage of 110 - 240 V ~ 50 / 60 Hz

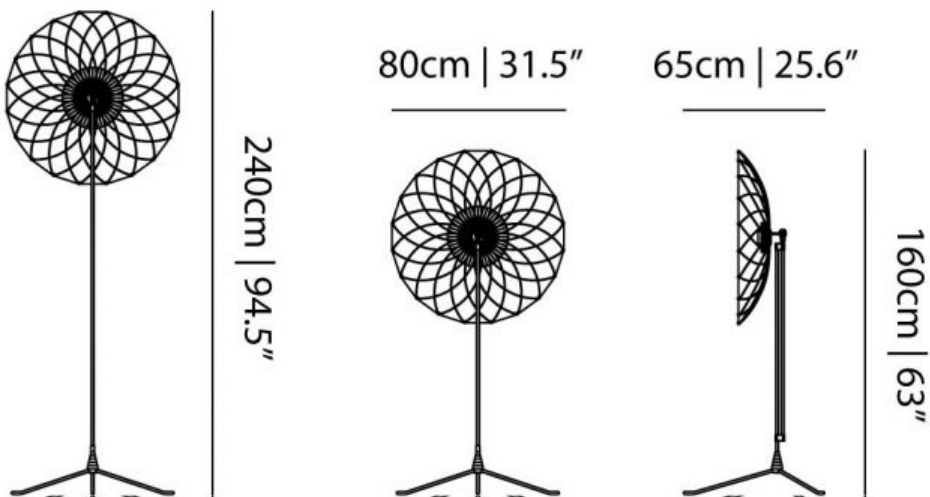
Power supply

m o o o i[®]



Flat power supply with integrated dimmer

dimensions



packaging

H 172 cm | 67,7"
W 87 cm | 34,3"
D 69 cm | 27,2"

Colli 1/1

Product weight:
17 KG | 37,5 lb
With packaging:
19 KG | 41,9 lb