

Designed by Mathieu Matégot

PRODUCT



Item no.: 25001-0X + style code
 Black / Yellow: 25001-04
 Black / Red: 25001-03
 Black / White: 25001-01
 Black / Black: 25001-07

DESCRIPTION

Mathieu Matégot creates his legendary pieces in 1950s. The three-legged Nagasaki Chair is still Matégot's best known piece. The chair is made of perforated metal sheet and features unique details, such as the small stirrup that holds the seat and the legs together. Besides the chair the collection consists of Nagasaki stool, Dedal bookcases, Kangourou sofa table, Coatrack Demon shelves, Trolley and Copacabana collection. All models are made of powder-lacquered steel.

VERSION

RAL codes are indicative.

- Black / Yellow // RAL 9005 / RAL 1018 // gloss level 30 / gloss level 30
- Black / Red // RAL 9005 / RAL 3020 // gloss level 30 / gloss level 30
- Black / White // RAL 9005 / RAL 9010 // gloss level 30 / gloss level 30
- Black / Black // RAL 9005 / RAL 9005 // gloss level 30 / gloss level 30

SERIE

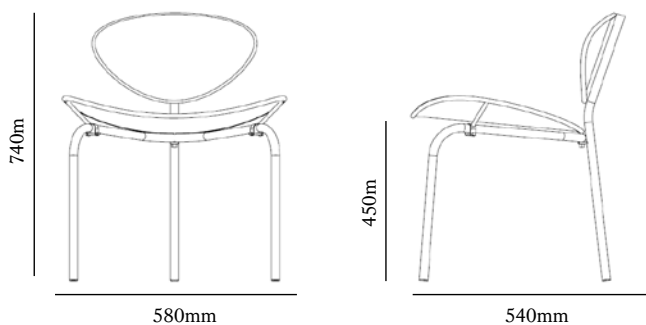
Order item - look for part number in the pricelist.

The series consists of the following:

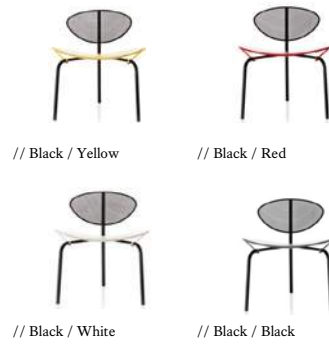
Nagasaki chair, Nagasaki stool, Kangourou table, Dedal shelf, Coat rack, Demon shelf, Trolley, Copacabana chair, Copacabana table



CHAIR MEASUREMENTS



COLOURS



FACTS

MEASUREMENT - H X W X D MM

Height: 740 mm
 Width: 580 mm
 Depth: 540 mm
 Seat height: 470mm
 Sitting height: 450mm

WEIGHT ITEM

5,24 kg

PACKAGING TYPE

Cardboard box

PACKAGING MEASUREMENT - L X W X H CM

60 X 57 X 76 cm

WEIGHT PACKAGING - MATERIAL TYPE

- Delivery note: 15 g
- Cardboard outerbox, FEFCO quality EB85BB: 2002 g
- Polybag PE: 60 g
- LD-EPS foam protector: 760 g
- LD-EPE foam protector: 835 g
- Bubble plastec wrapped: 100 g
- Strapping: 88 g

WEIGHT PACKAGING - TOTAL

9,1 kg

NUMBER OF PARCELS

1 pcs.

ACCESSORIES

- FELT GLIDERS AVAILABLE ON REQUEST.

CLEANING AND MAINTENANCE

- For dusting and light cleaning of the metal surface and frame use a soft, dry cloth.
For further cleaning, use a soft cloth that is firmly wrung in clean water for gently wiping the surface, and then immediately use a dry cloth to wipe the surface again.
If more thorough cleaning is necessary, use a mild detergent or washing-up liquid dissolved in water on a firmly wrung cloth. Afterwards, repeat the process with clean water as described above.
Polish with a soft cloth after wiping.
Do not use materials for maintenance that:

- Contain abrasive agents.
- Are basic, acidiferous or organic.

For the best maintenance of the product, protect it against sunlight and heat, and try to keep it away from moisture, grease and other dirt.
Furthermore, protect the surfaces against sharp objects and other that might scratch.

ENVIRONMENT

Parts can be separated and sorted for recycling.

TESTS

-

CERTIFICATION AND LABELS

-